

**MODEL RD250/RD350**

**for EUROPE**



## ORDERING GUIDE

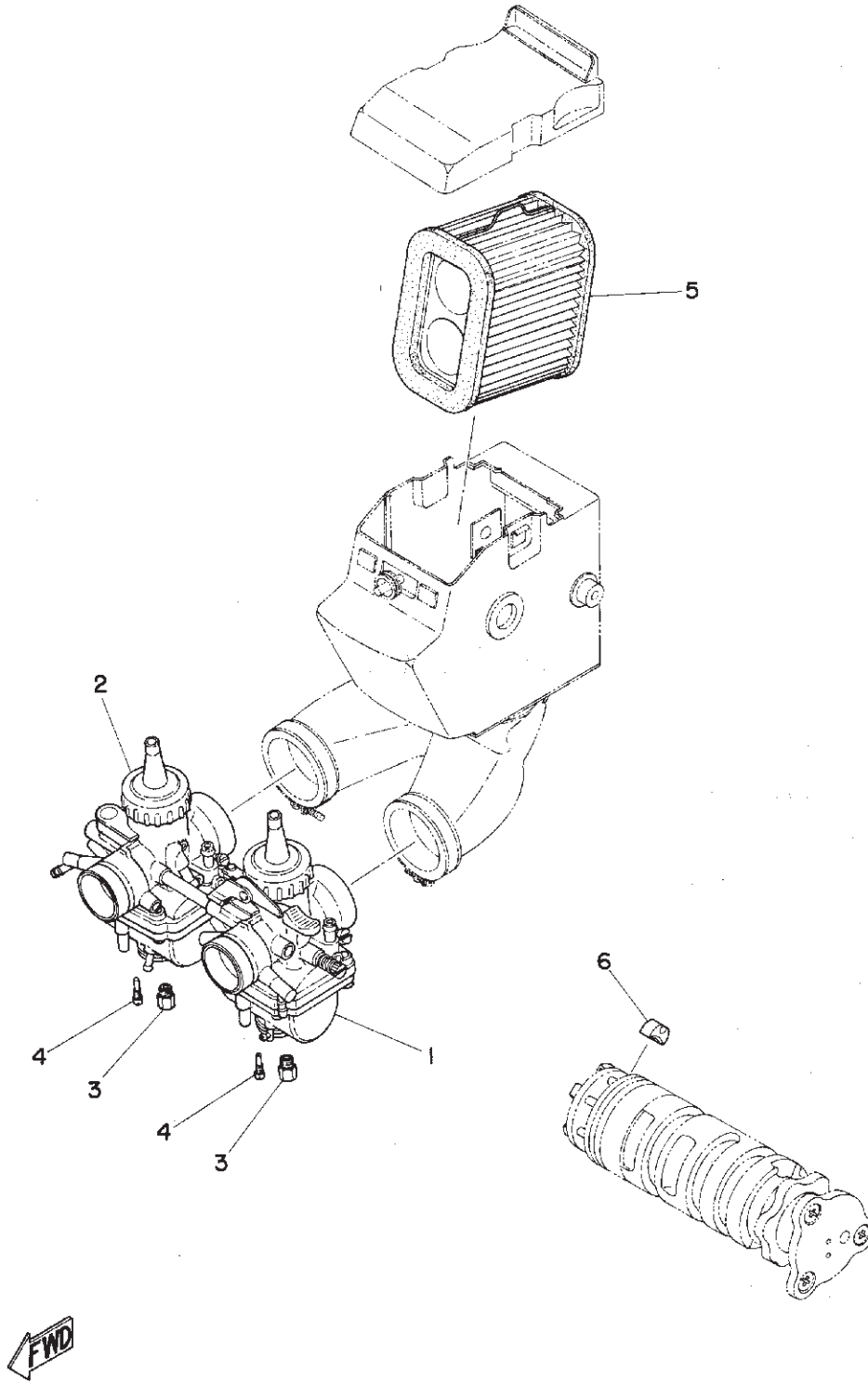
1. This Parts List is exclusive for RD250/RD350 Europe model.  
Please refer to RD250/RD350 Parts List (for General Market) for the parts not listed in this publication.
2. The parts marked with \* in the remark column of this list are not supplied with by Yamaha, those have to be found locally.
3. Please be advised that we supply you with Head Lamp Unit Ass'y, Tail Lamp Unit Ass'y and Flasher Lamp Ass'y without bulbs.
4. The parts marked with " X " in your country column are exclusive for your country, therefore, you should place an order only those parts.

## CONTENTS

Fig. 1	Intake .....	1
Fig. 2	Frame · Rear Fender .....	3
Fig. 3	Front Fork · Front Fender .....	5
Fig. 4	Handle · Wire (Alternate Parts) .....	7
Fig. 5	Front Wheel · Rear Wheel .....	9
Fig. 6	Head Lamp 1 .....	11
Fig. 7	Head Lamp 2 .....	13
Fig. 8	Tail Lamp 1 .....	15
Fig. 9	Tail Lamp 2 .....	19
Fig. 10	Frasher Lamp .....	21
Fig. 11	Electrical .....	23

## NUMERICAL INDEX

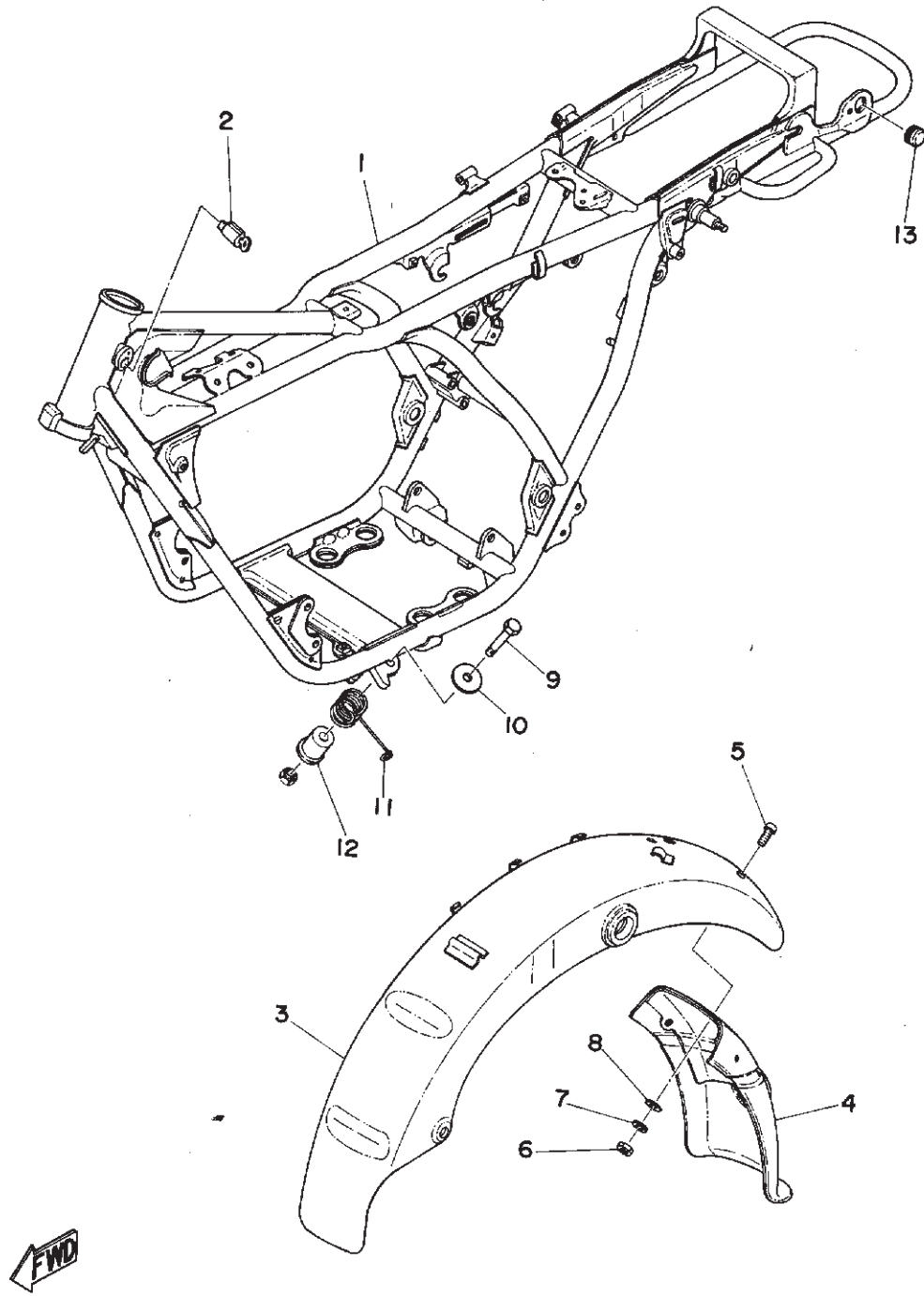
Fig. 1 INTAKE



# INTAKE

Ref. No.	Parts No.	Description	Q'ty		FRANCE	HOLLAND	W. GERMANY	SWITZERLAND	BELGIUM	SWEDEN	FINLAND	DENMARK	NORWAY	AUSTRIA	ENGLAND	Remarks
				RD250 RD350												
1- 1	361-14101-90	CARBURETOR ASS'Y left	1	1	x	x	x	x	x	x	x	x	x	x	x	
	360-14101-90	CARBURETOR ASS'Y left		1	x	x	x	x	x	x	x	x	x	x	x	
1- 2	361-14102-90	CARBURETOR ASS'Y right	1		x	x	x	x	x	x	x	x	x	x	x	
	360-14102-90	CARBURETOR ASS'Y right		1	x	x	x	x	x	x	x	x	x	x	x	
1- 3	137-14143-19	. JET, main (#95) . . . . .	2		x	x	x	x	x	x	x	x	x	x	x	
	137-14143-21	. JET, main (#105) . . . . .		2	x	x	x	x	x	x	x	x	x	x	x	
1- 4	193-14142-25	. JET, pilot (#25) . . . . .	2		x	x	x	x	x	x	x	x	x	x	x	
1- 5	360-14451-90	ELEMENT . . . . .	1	1	x	x	x	x	x	x	x	x	x	x	x	
1- 6	328-18352-00	PLATE, pawl . . . . .	1	1	x	x	x	x	x	x	x	x	x	x	x	

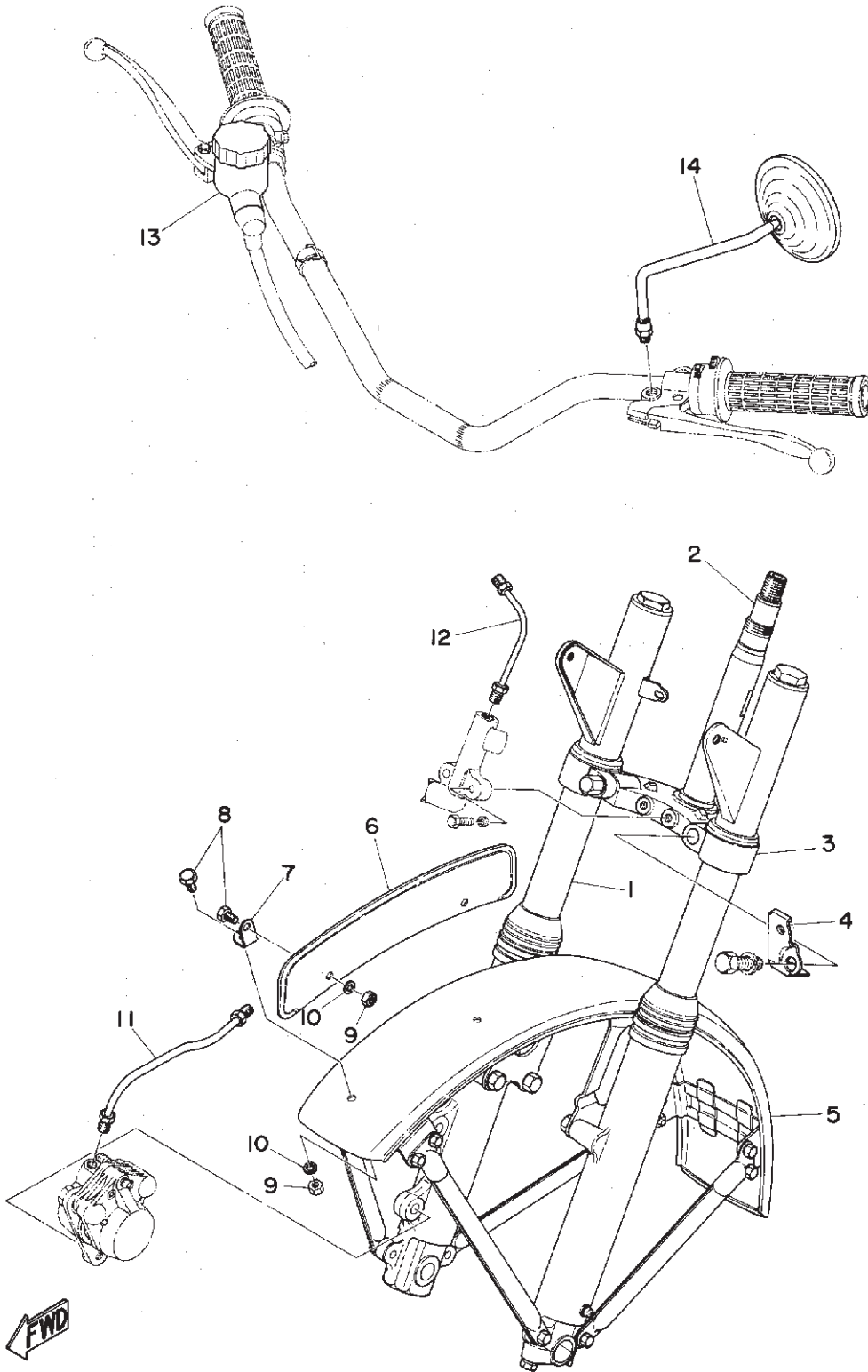
Fig. 2 FRAME · REAR FENDER



## FRAME · REAR FENDER

Ref. No.	Parts No.	Description	Q'ty		FRANCE	HOLLAND	W. GERMANY	SWITZERLAND	BELGIUM	FINLAND	DENMARK	NORWAY	AUSTRIA	ENGLAND	Remarks
			RD250	RD350											
2- 1	360-21110-20-33	FRAME COMP. ....	1	1	x		x								
	360-21110-40-33	FRAME COMP. ....	1	1			x								
	360-21110-80-33	FRAME COMP. ....	1	1					x	x					
2- 2	169-23480-10	STEERING LOCK ASS'Y	1	1		x			x	x					*
2- 3	360-21610-30-93	REAR FENDER COMP.	1	1										x	
	360-21610-40-93	REAR FENDER COMP.	1	1			x	x		x	x	x			
	360-21610-90-93	REAR FENDER COMP.	1	1					x						
2- 4	360-21621-90	FLAP .....	1	1					x						
2- 5	92501-06018	SCREW, panhead .....	2	2					x						
2- 6	98801-06200	NUT .....	2	2					x						
2- 7	92901-06100	WASHER, spring .....	2	2					x						
2- 8	92901-06200	WASHER, plain .....	2	2					x						
2- 9	360-27317-90	BOLT, side stand .....	1	1			x								
2-10	366-27322-00	WASHER, special .....	1	1			x								
2-11	360-27316-90	SPRING .....	1	1			x								
2-12	360-27313-90	COLLAR .....	1	1			x								
2-13	360-83349-00	PLUG, blind .....	2	2			x	x		x	x	x			

Fig. 3 FRONT FORK · FRONT FENDER

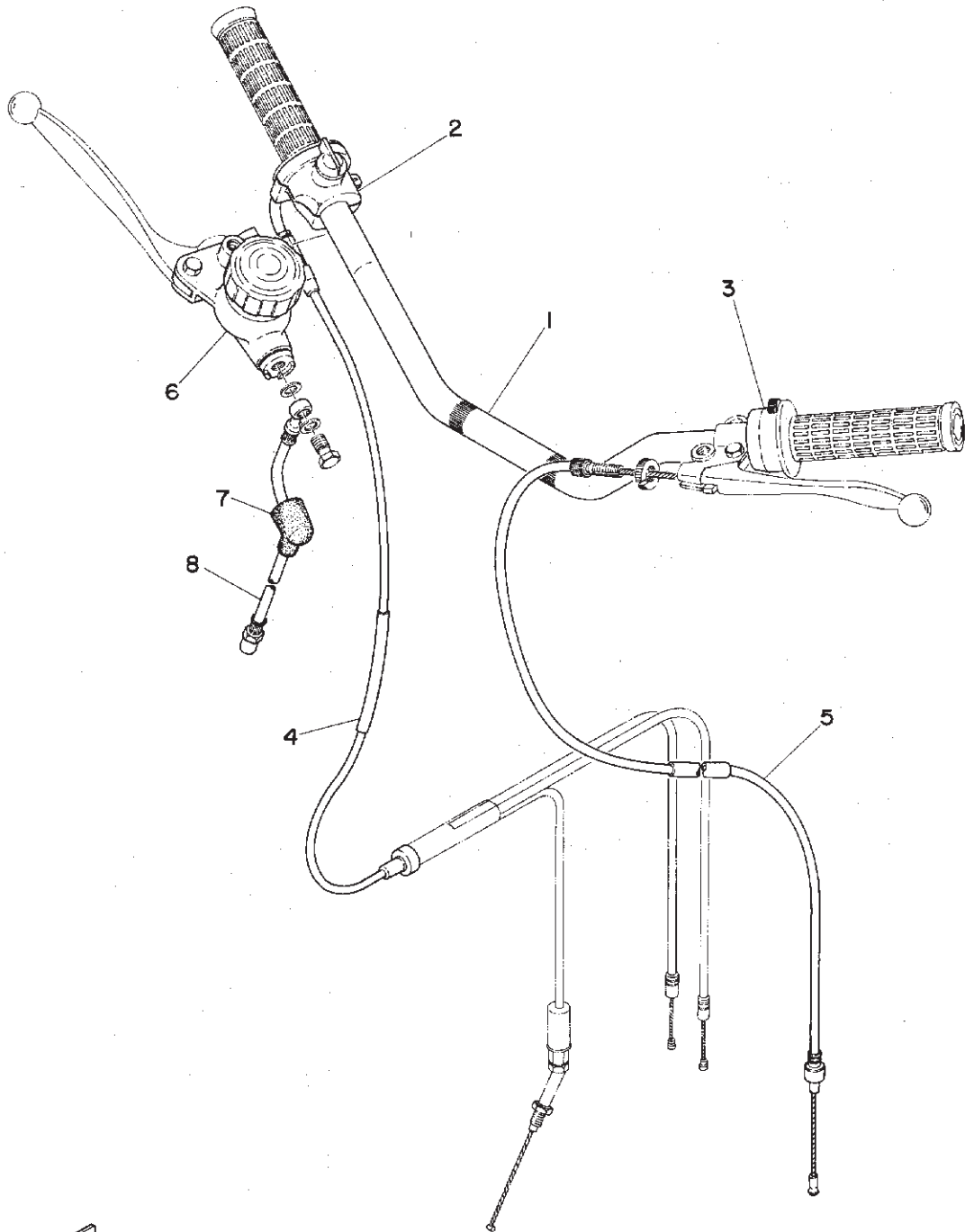




## FRONT FORK · FRONT FENDER

Ref. No.	Parts No.	Description	Q'ty		FRANCE	HOLLAND	W. GERMANY	SWITZERLAND	BELGIUM	SWEDEN	FINLAND	DENMARK	NORWAY	AUSTRIA	ENGLAND	Remarks
			RD250	RD350												
3- 1	360-23101-30	FRONT FORK ASS'Y ...	1	1			x			x						
	360-23101-A0	FRONT FORK ASS'Y ...	1	1		x				x						
3- 2	360-23340-30-33	. UNDER BRACKET COMP.	1	1		x	x			x	x					
3- 3	360-23122-A0	. COVER, outer .....	2	2		x				x						
3- 4	360-21343-A0	. BRACKET, horn ....	1	1		x				x						
3- 5	360-21510-80-93	FRONT FENDER COMP.	1	1											x	
3- 6	122-21582-81-33	PLATE, license .....	1	1											x	
3- 7	173-21581-80-93	STAY, plate fitting ....	2	2											x	
3- 8	91203-06012	BOLT .....	4	4											x	
3- 9	92803-06100	NUT .....	4	4											x	
3-10	92901-06100	WASHER, spring .....	4	4											x	
3-11	306-25871-40	PIPE, brake .....	1	1						x			x			
3-12	360-25883-40	PIPE, brake 3 .....	1	1						x			x			
3-13	360-25850-40	MASTER CYLINDER ASS'Y	1	1				x	x							
3-14	341-26290-20	BACK MIRROR ASS'Y left	1	1	x											*
	341-26290-50	BACK MIRROR ASS'Y left	1	1		x	x	x		x	x					

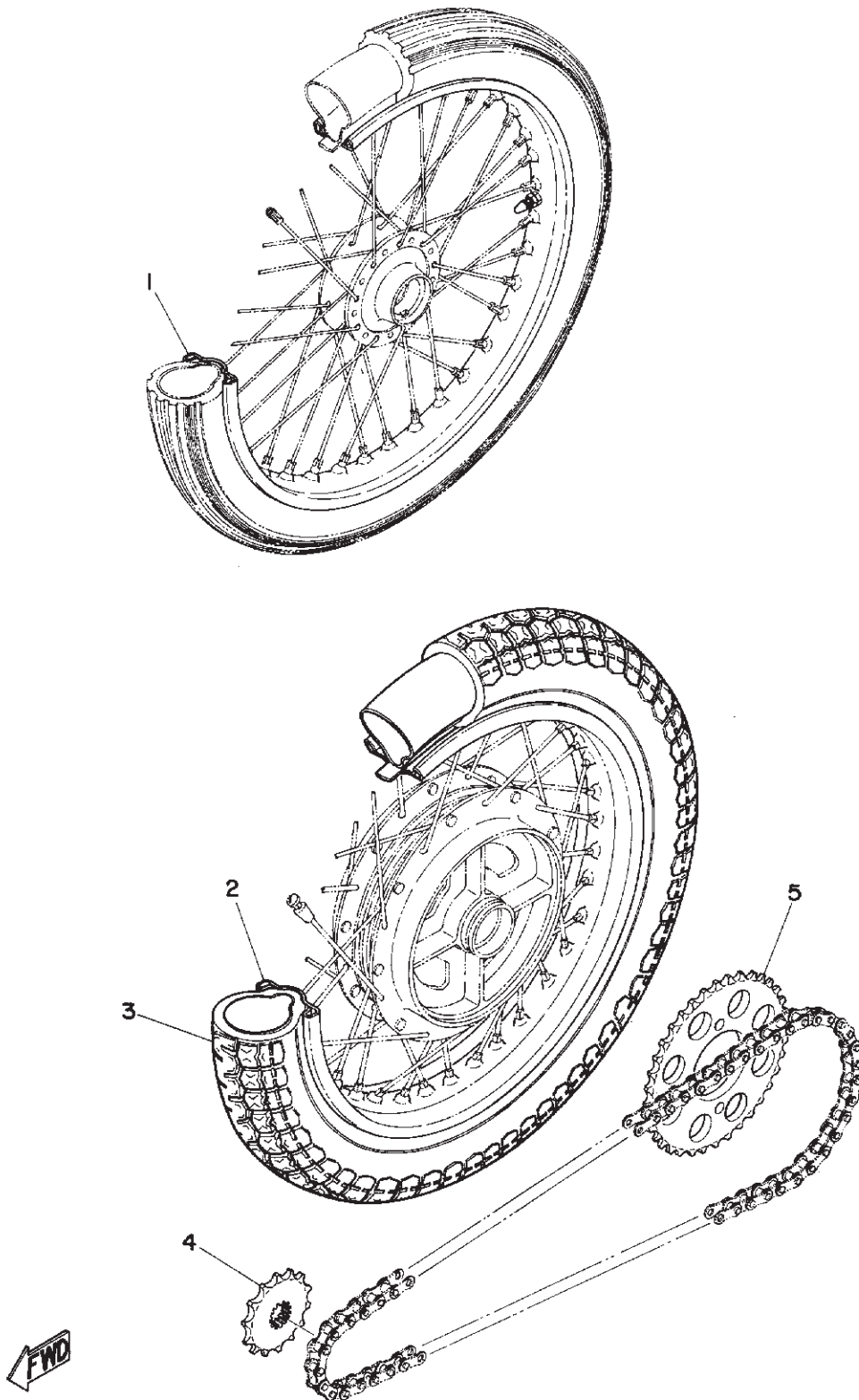
Fig. 4 HANDLE · WIRE (ALTERNATE PARTS)



## HANDLE · WIRE (ALTERNATE PARTS)

Ref. No.	Parts No.	Description	Q'ty		FRANCE	HOLLAND	W. GERMANY	SWITZERLAND	BELGIUM	SWEDEN	FINLAND	DENMARK	AUSTRIA	NORWAY	ENGLAND	Remarks
			RD250	RD350												
4- 1	413-26111-20	HANDLE .....	1	1	x	x	x	x	x	x	x	x	x	x	x	
4- 2	360-83975-20	SWITCH, handle 2 .....	1	1	x	x	x	x	x	x	x	x	x	x	x	
4- 3	360-83972-20	SWITCH, handle 4 .....	1	1	x	x	x	x	x	x	x	x	x	x	x	
4- 4	413-26311-20	WIRE, throttle 1 .....	1	1	x	x	x	x	x	x	x	x	x	x	x	
4- 5	413-26335-20	WIRE, clutch .....	1	1	x	x	x	x	x	x	x	x	x	x	x	
4- 6	360-25850-20	MASTER CYLINDER ASS'Y	1	1	x	x	x	x				x	x	x	x	
	413-25850-20	MASTER CYLINDER ASS'Y	1	1						x	x					
4- 7	341-25862-20	BOOT, master cylinder	1	1	x	x	x	x	x	x	x	x	x	x	x	
4- 8	341-25872-20	HOSE, brake 1 .....	1	1	x	x	x	x	x	x	x	x	x	x	x	

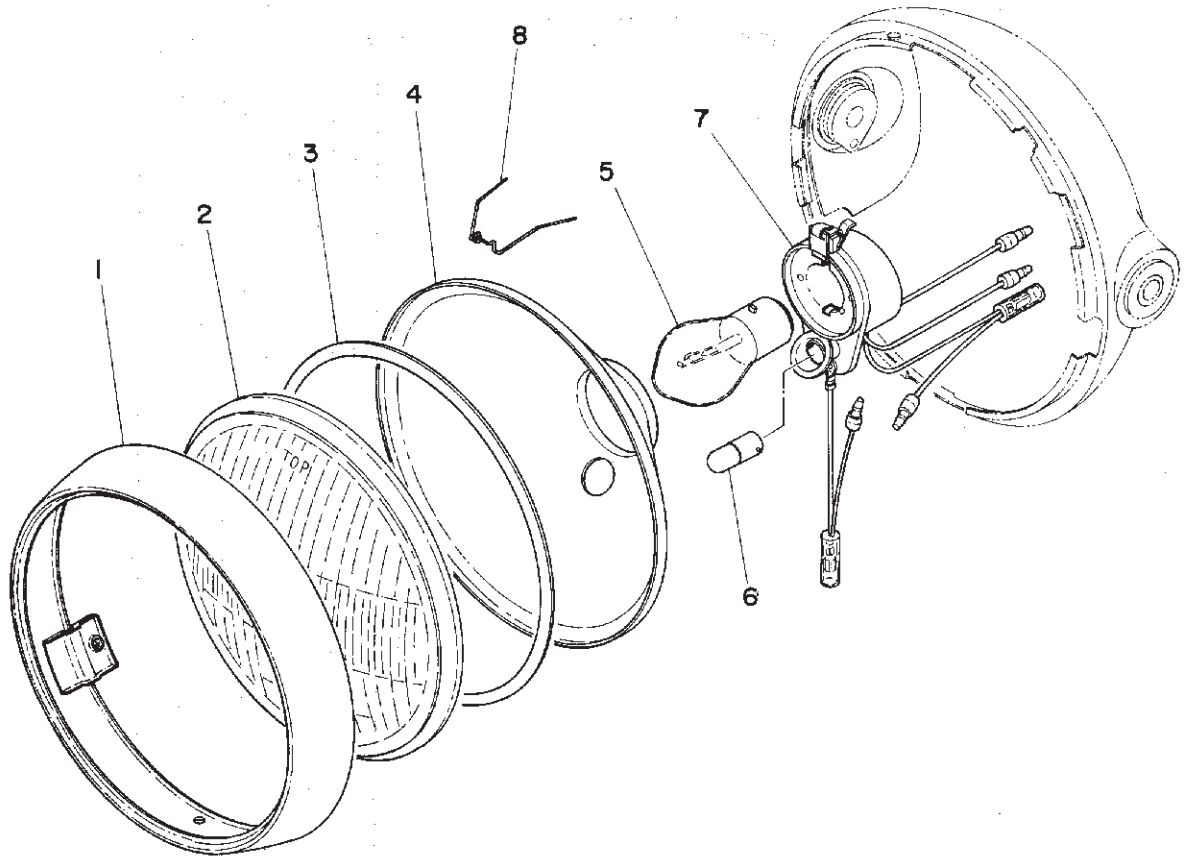
Fig. 5 FRONT WHEEL · REAR WHEEL



## FRONT WHEEL · REAR WHEEL

Ref. No.	Parts No.	Description	Q'ty		FRANCE	HOLLAND	W. GERMANY	SWITZERLAND	BELGIUM	SWEDEN	FINLAND	DENMARK	NORWAY	AUSTRIA	ENGLAND	Remarks
				RD250 RD350												
5- 1	94418-18084	RIM, front (1.85B-18) ..	1	1			x									
5- 2	94421-18085	RIM, rear (2.15B-18) ..	1	1			x									
5- 3	94135-18132	TIRE (3.50-18-4PR) ...	1				x									
5- 4	168-17461-60	SPROCKET, drive (16T)	1	1	x	x	x	x	x	x	x	x	x	x	x	
5- 5	414-25436-20	GEAR, sprocket wheel (36T) .....	1		x	x	x	x	x	x	x	x	x	x	x	
	413-25437-20	GEAR, sprocket wheel (37T) .....	1		x	x	x	x	x	x	x	x	x	x	x	

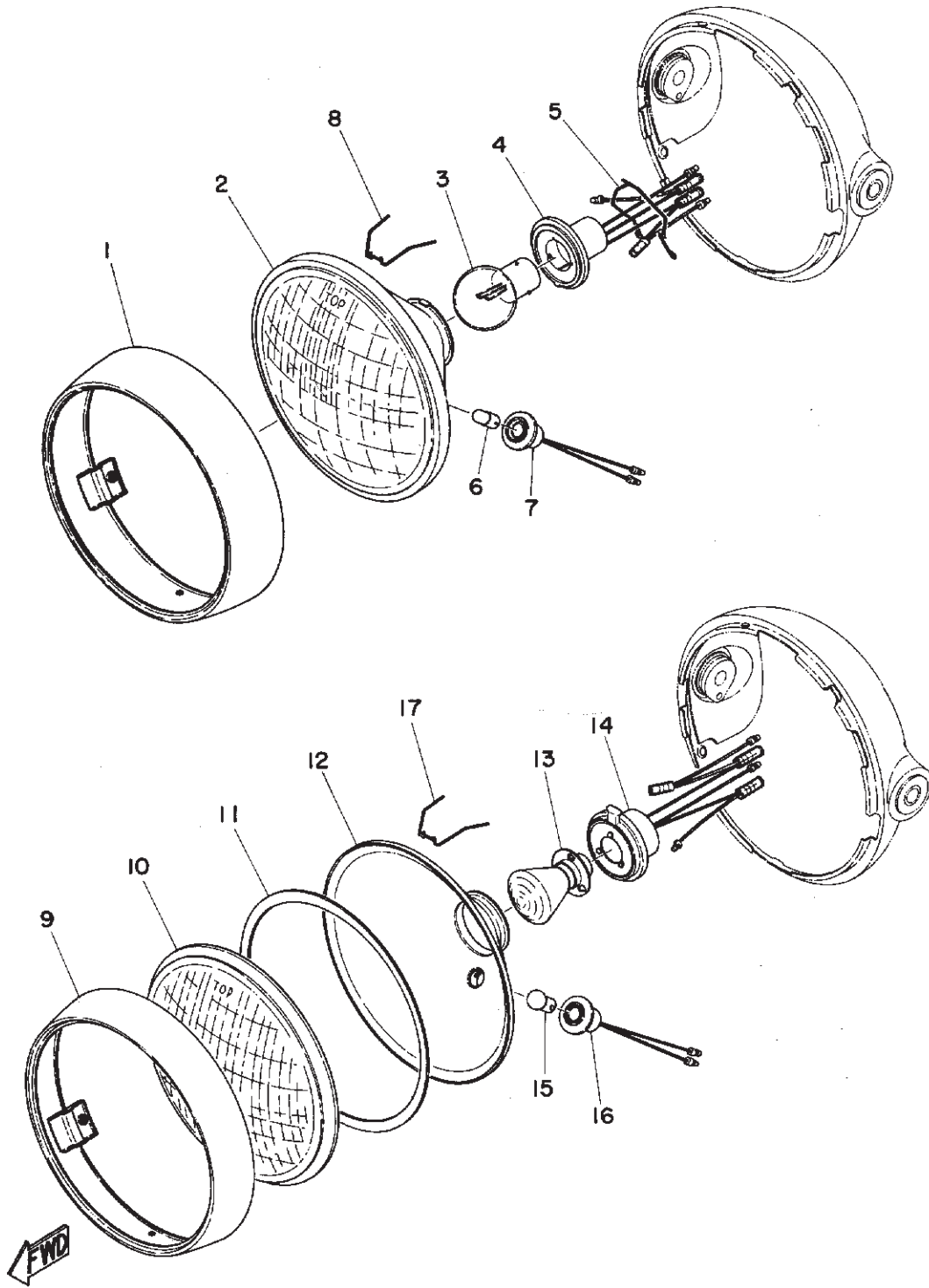
Fig. 6 HEAD LAMP 1



# HEAD LAMP 1

Ref. No.	Parts No.	Description	Q'ty		FRANCE	HOLLAND	W. GERMANY	SWITZERLAND	BELGIUM	SWEDEN	FINLAND	DENMARK	NORWAY	AUSTRIA	ENGLAND	Remarks
			RD250	RD350												
6- 0-1	278-84303-40	HEAD LAMP UNIT ASS'Y	1	1	x	x	x	x	x	x	x	x	x	x		
6- 1	235-84315-30	. RIM, head lamp	1	1	x	x	x	x	x	x	x	x	x	x		
6- 2	169-84321-10	. LENS, head lamp	1	1	x	x	x	x	x	x	x	x	x	x		
6- 3	150-84122-00	. GASKET, lens	1	1	x	x	x	x	x	x	x	x	x	x		
6- 4	169-84323-10	. REFLECTOR	1	1	x	x	x	x	x	x	x	x	x	x		
6- 5	169-84314-10	. BULB, head lamp (12V-35/35W)	1	1	x	x	x	x	x	x	x	x	x	x	*	
6- 6	169-84346-10	. BULB (12V-4W)	1	1	x	x	x	x	x	x	x	x	x	x	*	
6- 7	235-84312-40	. SOCKET	1	1	x	x	x	x	x	x	x	x	x	x		
6- 8	148-84324-00	. SPRING, reflector set	4	4	x	x	x	x	x	x	x	x	x	x		

Fig. 7 HEAD LAMP 2

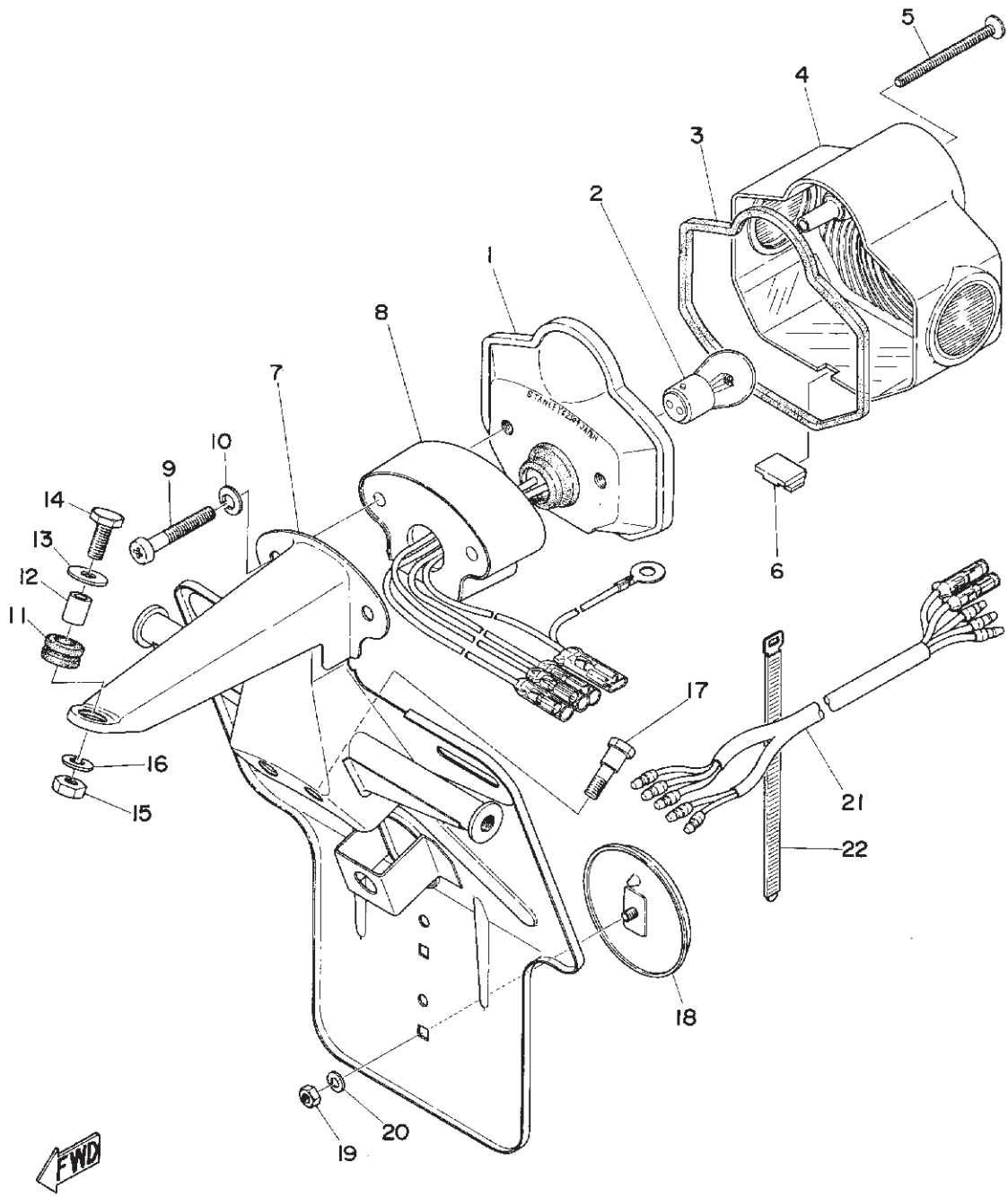




## HEAD LAMP 2

Ref. No.	Parts No.	Description	Q'ty		FRANCE	HOLLAND	W. GERMANY	SWITZERLAND	BELGIUM	SWEDEN	FINLAND	DENMARK	NORWAY	AUSTRIA	ENGLAND	Remarks
			RD250	RD350												
7- 0-1	278-84303-21	HEAD LAMP UNIT ASS'Y	1	1	x											
7- 1	278-84315-21	. RIM, head lamp . . . . .	1	1	x											
7- 2	278-84320-21	. LENS ASS'Y . . . . .	1	1	x											
7- 3	278-84314-21	. BULB, head lamp (12V-36/36W) . . . . .	1	1	x											*
7- 4	278-84312-21	. SOCKET . . . . .	1	1	x											
7- 5	308-84135-21	. SPRING . . . . .	1	1	x											
7- 6	169-84346-10	. BULB (12V-4W) . . . . .	1	1	x											*
7- 7	306-84346-40	. SOCKET . . . . .	1	1	x											
7- 8	278-84324-21	. SPRING, reflector set	4	4	x											
7- 0-2	360-84310-30	HEAD LAMP UNIT ASS'Y	1	1											x	
7- 9	235-84315-30	. RIM, head lamp . . . . .	1	1											x	
7-10	150-84121-00	. LENS, head lamp . . . . .	1	1											x	
7-11	150-84122-00	. GASKET, lens . . . . .	1	1											x	
7-12	156-84123-30	. REFLECTOR . . . . .	1	1											x	
7-13	136-84314-00	. BULB, head lamp (12V-35/25W) . . . . .	1	1											x	
7-14	360-84312-30	. SOCKET . . . . .	1	1											x	
7-15	306-84347-30	. BULB (12V-3.4W) . . . . .	1	1											x	
7-16	306-84346-40	. SOCKET . . . . .	1	1											x	
7-17	148-84324-00	. SPRING, relector set	4	4											x	

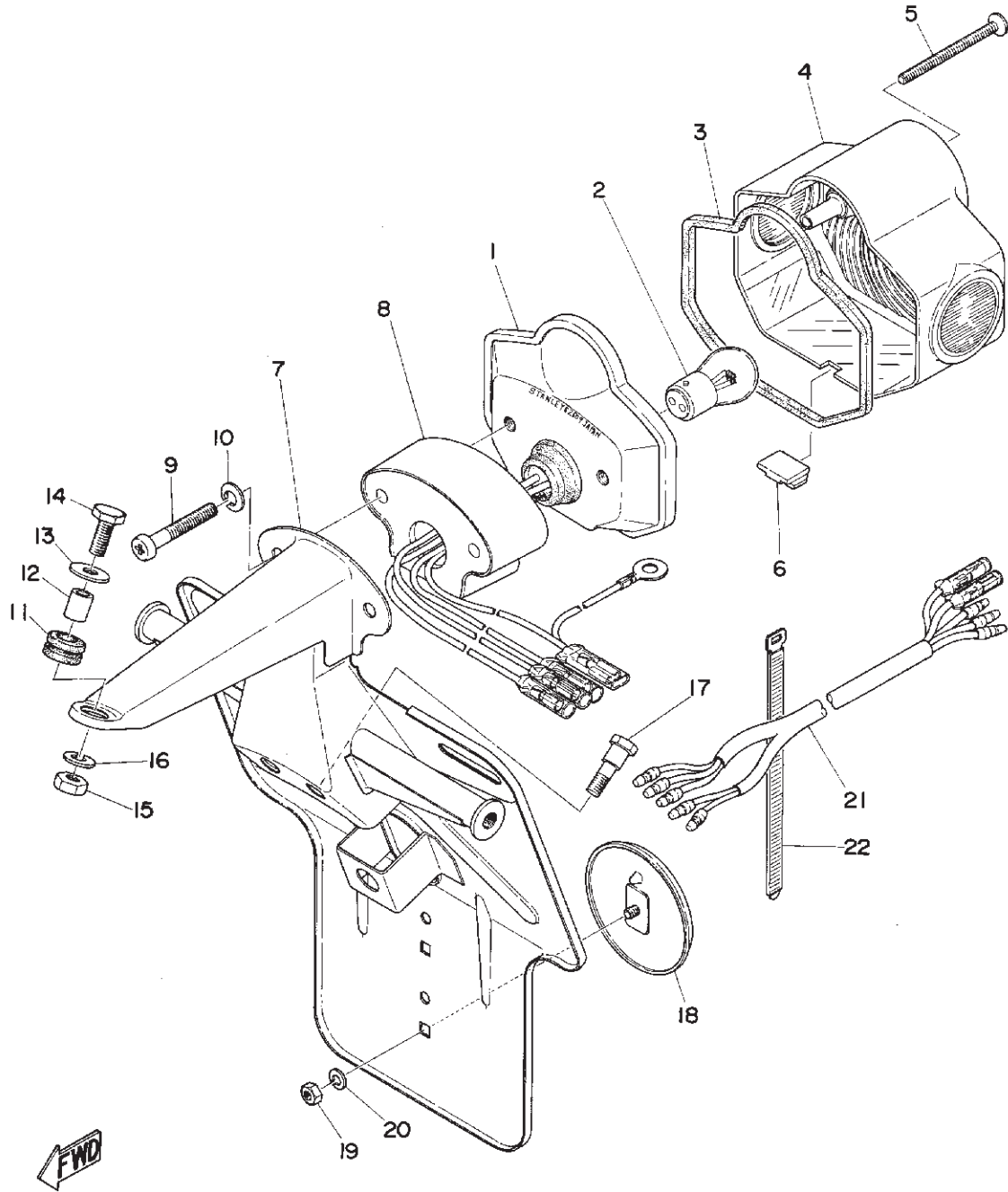
Fig. 8 TAIL LAMP 1



# TAIL LAMP 1

Ref. No.	Parts No.	Description	Q'ty		FRANCE	HOLLAND	W. GERMANY	SWITZERLAND	BELGIUM	FINLAND	DENMARK	NORWAY	AUSTRIA	ENGLAND	Remarks
			RD250	RD850											
8- 0-1	306-84710-41	TAIL LAMP UNIT ASS'Y	1	1			x x		x x	x x					
8- 1	306-84711-41	. BASE, tail lamp . . . . .	1	1			x x		x x	x x					
8- 2	306-84714-40	. BULB, tail lamp (12V 21/5W) . . . . .	1	1			x x		x x	x x				*	
8- 3	256-84723-60	. GASKET, lens . . . . .	1	1			x x		x x	x x					
8- 4	306-84721-41	. LENS, tail lamp . . . . .	1	1			x x		x x	x x					
8- 5	256-84724-60	. SCREW, lens fitting . . . . .	2	2			x x		x x	x x					
8- 6	278-84718-40	. GROMMET . . . . .	1	1			x x		x x	x x					
8- 7	366-84751-40-35	BRACKET, license . . . . .	1	1			x x		x x	x x					
8- 8	278-84729-40	SPACER . . . . .	1	1			x x		x x	x x					
8- 9	92503-06045	SCREW, panhead . . . . .	2	2			x x		x x	x x					
8-10	92901-06100	WASHER, spring . . . . .	2	2			x x		x x	x x					
8-11	214-21717-00	DAMPER, battery box . . . . .	1	1			x x		x x	x x					
8-12	214-21633-00	COLLAR, fender mount . . . . .	1	1			x x		x x	x x					
8-13	102-28323-00	WASHER, leg shield . . . . .	1	1			x x		x x	x x					
8-14	91203-06025	BOLT . . . . .	1	1			x x		x x	x x					
8-15	98801-06100	NUT . . . . .	1	1			x x		x x	x x					
8-16	92901-06100	WASHER, spring . . . . .	1	1			x x		x x	x x					
8-17	375-84752-00	BOLT, fitting . . . . .	2	2					x						
8-18	848-85131-01	REFLECTOR . . . . .	1	1	x	x			x x	x x					
8-19	98801-05100	NUT . . . . .	1	1	x	x			x x	x x					
8-20	92901-05100	WASHER, spring . . . . .	1	1	x	x			x x	x x					

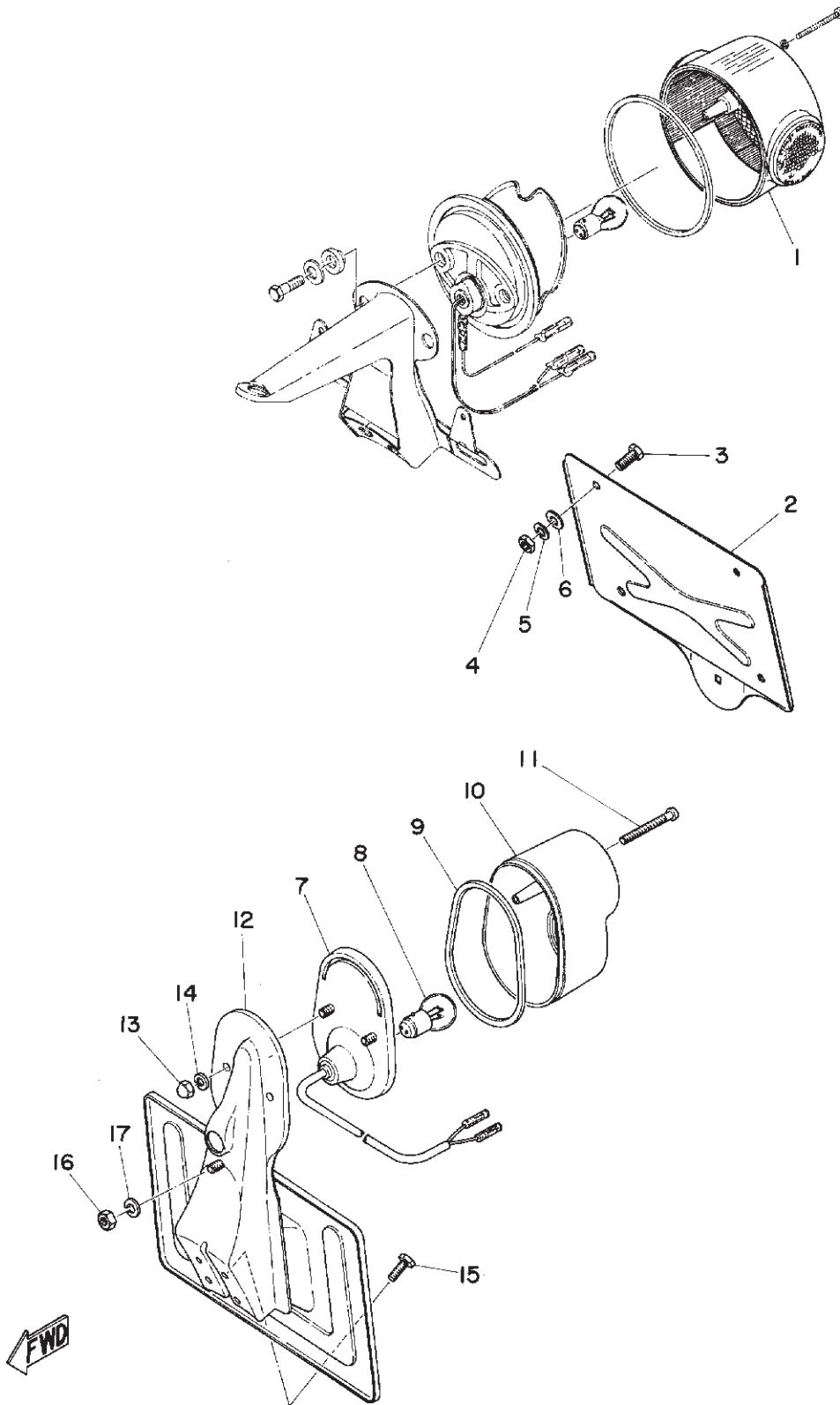
Fig. 8 TAIL LAMP 1



# TAIL LAMP 1

Ref. No.	Parts No.	Description	Q'ty		FRANCE	HOLLAND	W. GERMANY	SWITZERLAND	BELGIUM	FINLAND	DENMARK	NORWAY	AUSTRIA	ENGLAND	Remarks
			RD250	RD350											
8-21	360-84517-40	CORD, tail lamp . . . . .	1	1		X	X			X	X	X			
8-22	341-26397-01	BAND . . . . .	1	1		X	X			X	X	X			

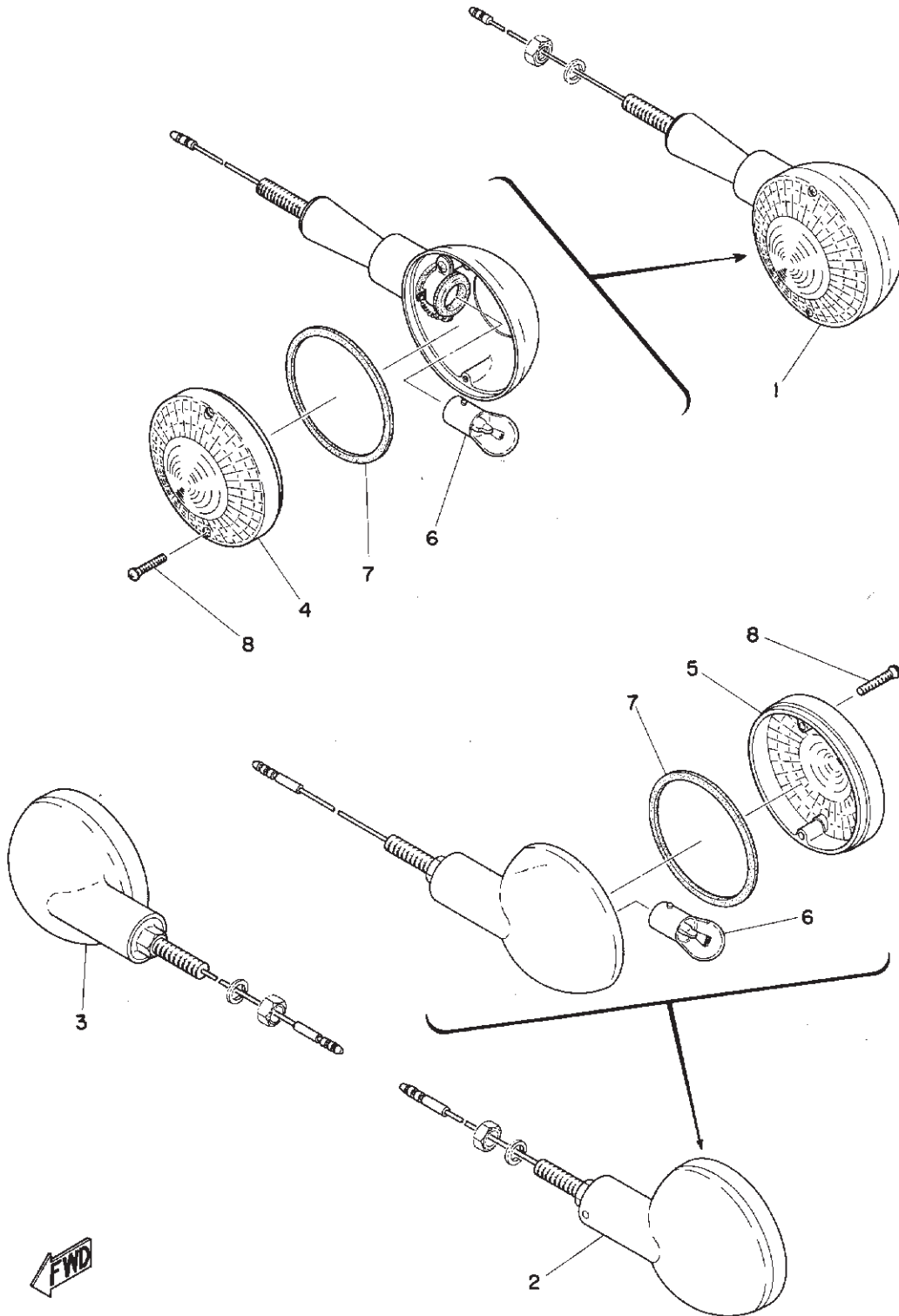
Fig. 9 TAIL LAMP 2



## TAIL LAMP 2

Ref. No.	Parts No.	Description	Q'ty		FRANCE	HOLLAND	W. GERMANY	SWITZERLAND	BELGIUM	FINLAND	DENMARK	NORWAY	AUSTRIA	ENGLAND	Remarks
			RD250	RD350											
9- 0-1	341-84710-20	TAIL LAMP UNIT ASS'Y	1	1	x										
9- 1	341-84721-20	. LENS, tail lamp	1	1	x										
9- 2	341-85132-20	BRACKET 1	1	1	x										
9- 3	97201-06015	BOLT	4	4	x										
9- 4	92801-06100	NUT	4	4	x										
9- 5	92901-06100	WASHER, spring	4	4	x										
9- 6	92901-06200	WASHER, plain	4	4	x										
9- 0-2	278-84710-31	TAIL LAMP UNIT ASS'Y	1	1										x	
9- 7	278-84711-30	. BASE, tail lamp	1	1										x	
9- 8	137-84714-61	. BULB, tail lamp (12V-23/8W)	1	1										x	
9- 9	122-84523-30	. GASKET, tail lens	1	1										x	
9-10	127-84521-31	. LENS, tail lamp	1	1										x	
9-11	127-84524-30	. SCREW, lens fitting	2	2										x	
9-12	168-84751-30-35	BRACKET, license	1	1										x	
9-13	92803-06700	NUT, crown	2	2										x	
9-14	92901-06100	WASHER, spring	2	2										x	
9-15	91201-06012	BOLT	4	4										x	
9-16	98801-06100	NUT	1	1										x	
9-17	92901-06100	WASHER, spring	1	1										x	

Fig. 10 FLASHER LAMP



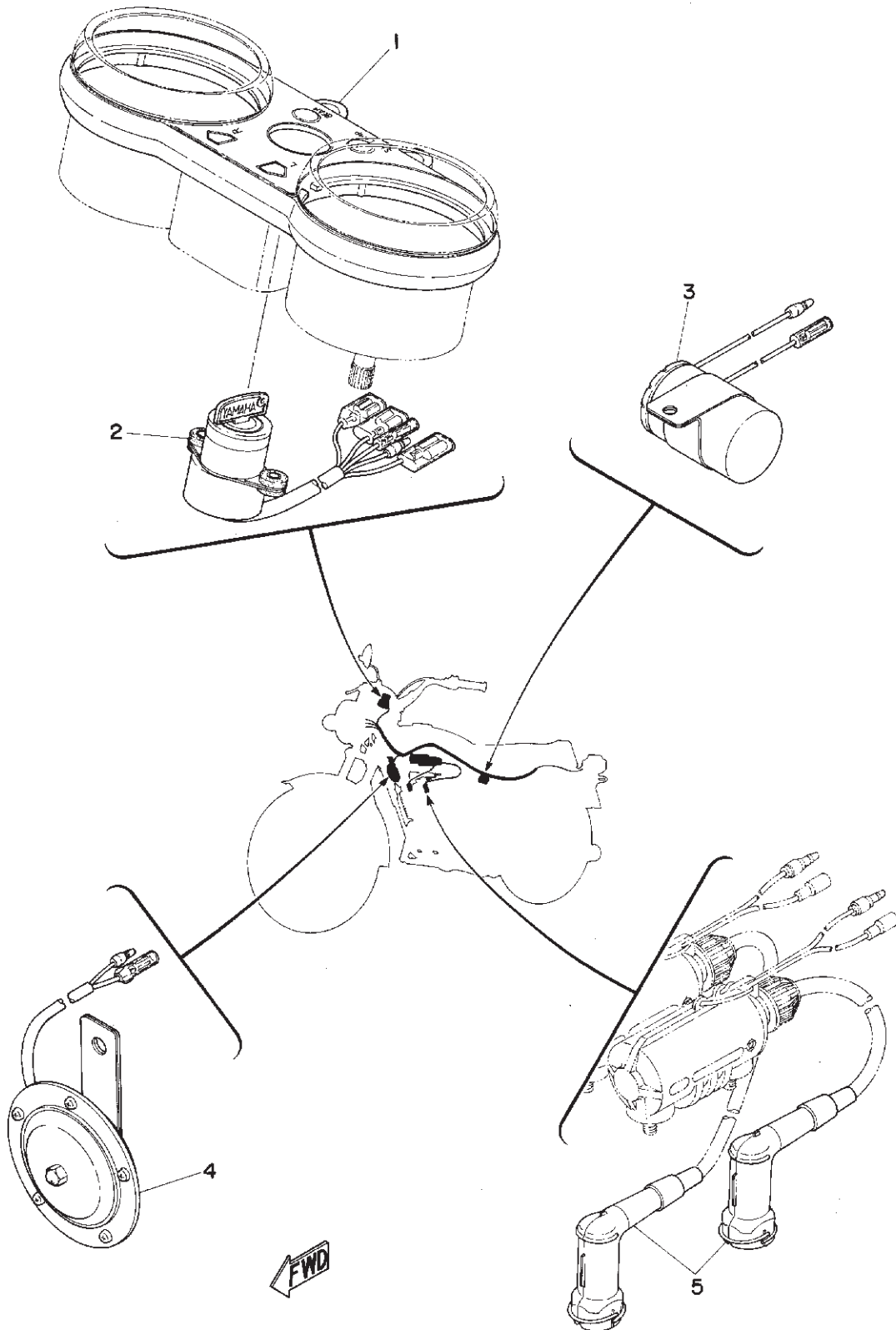
FWD



# FLASHER LAMP

Ref. No.	Parts No.	Description	Q'ty		FRANCE	HOLLAND	W. GERMANY	SWITZERLAND	BELGIUM	FINLAND	DENMARK	NORWAY	AUSTRIA	ENGLAND	Remarks
			RD250	RD350											
10- 1	366-83310-40-93	FRONT FLASHER LAMP ASS'Y .....	2	2			x x			x x x					
10- 2	366-83330-40-93	REAR FLASHER LAMP ASS'Y left .....	1	1			x x			x x x					
10- 3	366-83340-40-93	REAR FLASHER LAMP ASS'Y right .....	1	1			x x			x x x					
10- 4	341-83312-70	. LENS, flasher .....	2	2			x x			x x x					
10- 5	366-83312-40	. LENS, flasher .....	2	2			x x			x x x					
10- 6	306-83311-40	. BULB, flasher (12V-21W)	4	4			x x			x x x					*
10- 7	341-83313-70	. GASKET, flasher lens	4	4			x x			x x x					
10- 8	341-83333-70	. SCREW, lens fitting ..	8	8			x x			x x x					

Fig. 11 ELECTRICAL



# ELECTRICAL

Ref. No.	Parts No.	Description	Q'ty		FRANCE	HOLLAND	SWITZERLAND W. GERMANY	BELGIUM	FINLAND	DENMARK	NORWAY	AUSTRIA	ENGLAND	Remarks
				RD250 RD350										
11- 1	360-83519-80-98	BRACKET, meter . . . .	1	1	x	x	x	x	x	x	x	x	x	
11- 2	360-82508-80	MAIN SWITCH ASS'Y . . .	1	1	x	x	x	x	x	x	x	x	x	
11- 3	366-83350-40	FLASHER RELAY ASS'Y	1	1			x	x		x	x			
11- 4	360-83371-40	HORN . . . . .	1	1	x				x					
	360-83371-50	HORN . . . . .	1	1	x	x	x	x	x	x	x	x	x	
11- 5	808-82370-10	PLUG CAP ASS'Y . . . . .	2	2	x	x	x	x	x	x	x	x	x	



## NUMERICAL INDEX

Ref No.	Parts No.	Ref No.	Parts No.	Ref No.	Parts No.
8-13	102-28323-00	9- 0-2	278-84710-31	3-11	360-23101-30
3- 6	122-21582-81-33	9- 7	278-84711-30	3- 1	360-23101-A0
9- 9	122-84523-30	8- 6	278-84718-40	3- 3	360-23122-A0
9-10	127-84521-31	8- 8	278-84729-40	3- 2	360-23340-30-33
9-11	127-84524-30	3-11	306-25871-40	4- 6	360-25850-20
7-13	136-84314-00	10- 6	306-83311-40	3-13	360-25850-40
1- 3	137-14143-19	7- 7	306-84346-40	3-12	360-25883-40
1- 3	137-14143-21	7-16	306-84346-40	2-12	360-27313-90
9- 8	137-84714-61	7-15	306-84347-30	2-11	360-27316-90
6- 8	148-84324-00	8- 0-1	306-84710-41	2- 9	360-27317-90
7-17	148-84324-00	8- 1	306-84711-41	11- 2	360-82508-80
7-10	150-84121-00	8- 2	306-84714-40	2-13	360-83349-00
6- 3	150-84122-00	8- 4	306-84721-41	11- 4	360-83371-40
7-11	150-84122-00	7- 5	308-84135-21	11- 4	360-83371-50
7-12	156-84123-30	1- 6	328-18352-00	11- 1	360-83519-80-98
9-12	168-84751-30-35	4- 7	341-25862-20	4- 3	360-83972-20
2- 2	169-23480-10	4- 8	341-25872-20	4- 2	360-83975-20
6- 5	169-84314-10	3-14	341-26290-20	7- 0-2	360-84310-30
6- 2	169-84321-10	3-14	341-26290-50	7-14	360-84312-30
6- 4	169-84323-10	8-22	341-26397-01	8-21	360-84517-40
6- 6	169-84346-10	10- 4	341-83312-70	1- 1	361-14101-90
7- 6	169-84346-10	10- 7	341-83313-70	1- 2	361-14102-90
3- 7	173-21581-80-93	10- 8	341-83333-70	2-10	366-27322-00
1- 4	193-14142-25	9- 0-1	341-84710-20	10- 1	366-83310-40-93
8-12	214-21633-00	9- 1	341-84721-20	10- 5	366-83312-40
8-11	214-21717-00	9- 2	341-85132-20	10- 2	366-83330-40-93
6- 7	235-84312-40	1- 1	360-14101-90	10- 3	366-83340-40-93
6- 1	235-84315-30	1- 2	360-14102-90	11- 3	366-83350-40
7- 9	235-84315-30	1- 5	360-14451-90	8- 7	366-84751-40-35
8- 3	256-84723-60	2- 1	360-21110-20-33	8-17	375-84752-00
8- 5	256-84724-60	2- 1	360-21110-40-33	5- 4	413-25437-20
1- 0-1	278-84303-21	2- 1	360-21110-80-33	5- 5	413-25437-20
6- 0-1	278-84303-40	3- 4	360-21343-A0	4- 6	413-25850-20
7- 4	278-84312-21	3- 5	360-21510-80-93	4- 1	413-26111-20
7- 3	278-84314-21	2- 3	360-21610-30-93	4- 4	413-26311-20
7- 1	278-84315-21	2- 3	360-21610-40-93	4- 5	413-26335-20
7- 2	278-84320-21	2- 3	360-21610-90-93	5- 5	414-25436-20
7- 8	278-84324-21	2- 4	360-21621-90	11- 5	808-82370-10

## NUMERICAL INDEX

Ref No.	Parts No.	Ref No.	Parts No.	Ref No.	Parts No.
8-18	848-85131-01				
9-15	91201-06012				
3- 8	91203-06012				
8-14	91203-06025				
2- 5	92501-06018				
8- 9	92503-06045				
9- 4	92801-06100				
3- 9	92803-06100				
9-13	92803-06700				
8-20	92901-05100				
2- 7	92901-06100				
3-10	92901-06100				
8-10	92901-06100				
8-16	92901-06100				
9- 5	92901-06100				
9-14	92901-06100				
9-17	92901-06100				
2- 8	92901-06200				
9- 6	92901-06200				
5- 3	94135-18132				
5- 1	94418-18084				
5- 2	94421-18085				
9- 3	97201-06015				
8-19	98801-05100				
8-15	98801-06100				
9-16	98801-06100				
2- 6	98801-06200				





**YAMAHA MOTOR CO., LTD.**

**PRINTED IN JAPAN**  
**First edition Jan., 1973**  
**(360-40)**